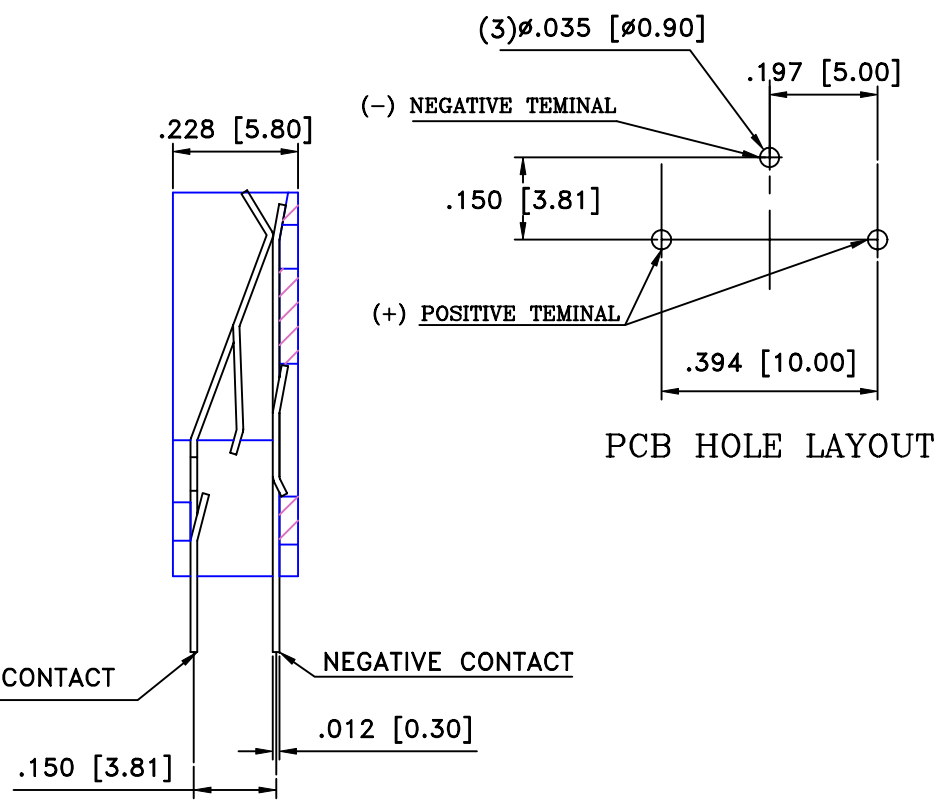
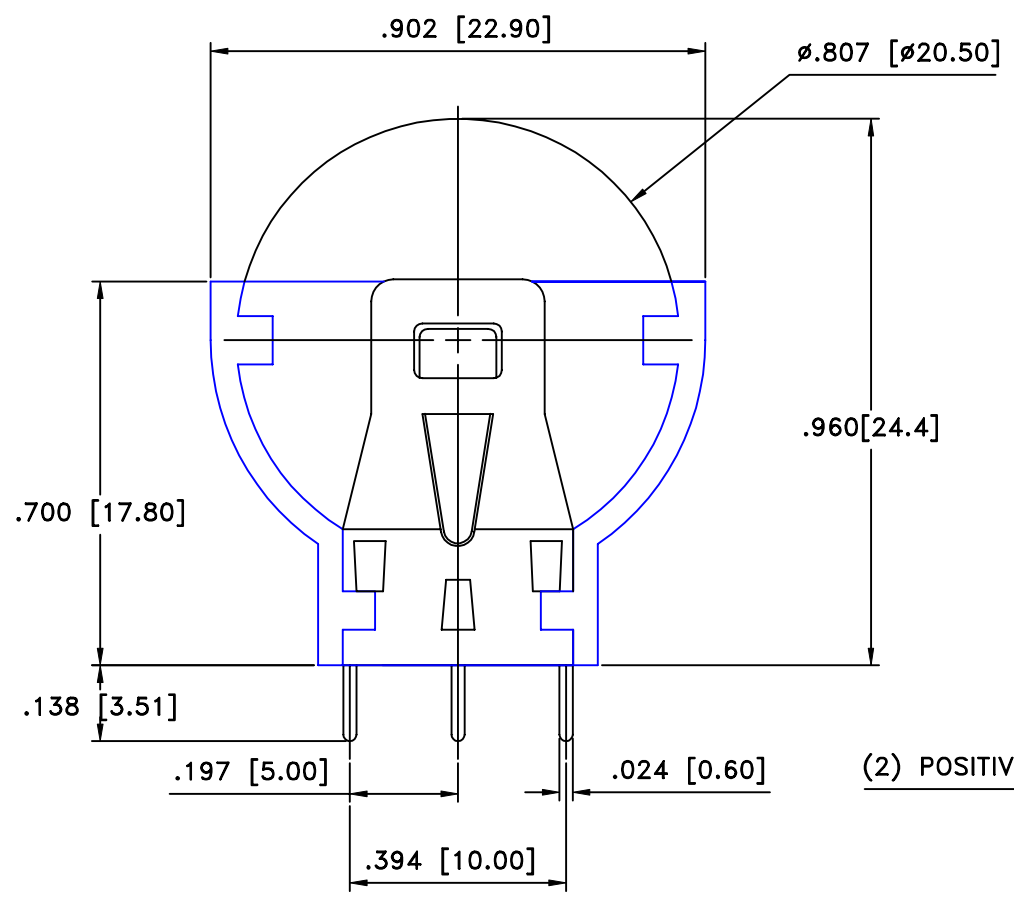



Date	SYM	REVISION RECORD	AUTH	DR.	CK.



MATERIAL
 BODY: FR-NYLON WITH 33% GLASS FILLED
 CONTACT: PHOSPHOR BRONZE

FINISH
 CONTACT: TIN PLATED OVER NICKEL

SPECIFICATIONS
 APPLICATION FOR 3V LITHIUM BATTERY
 INSULTOR RESISTANCE: 5000 MΩ MIN.
 OPPERATION TEMPERATURE: -55°C TO +105°C
 DURABILITY: 50 CYCLES MIN
 CONTACT RESISTANCE: 30 MΩ MAX

Tolerance (Except as noted)	 Memory protection Devices, Inc 200 Broad Hollow Road, Farmingdale, New York 11735	Scale	Drawn By T.S.
decimal ±.5 (.020)		4=1	Approved By T.B.
Fractional ± .8 (.030)	Title BR/CR 2032 VERTICAL LITHIUM BATTERY HOLDER		
Angular ± 3°	Date 10/30/00	Drawing Number BS-5	