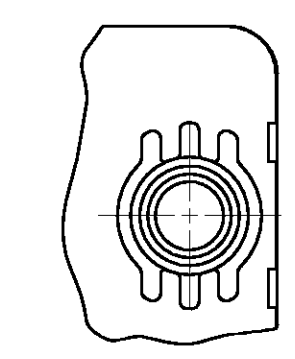
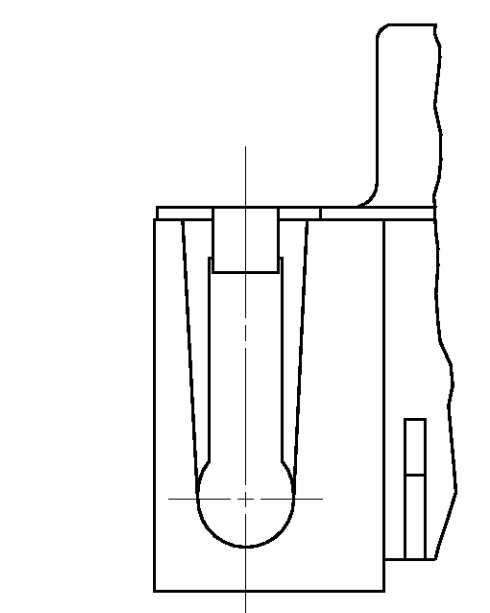
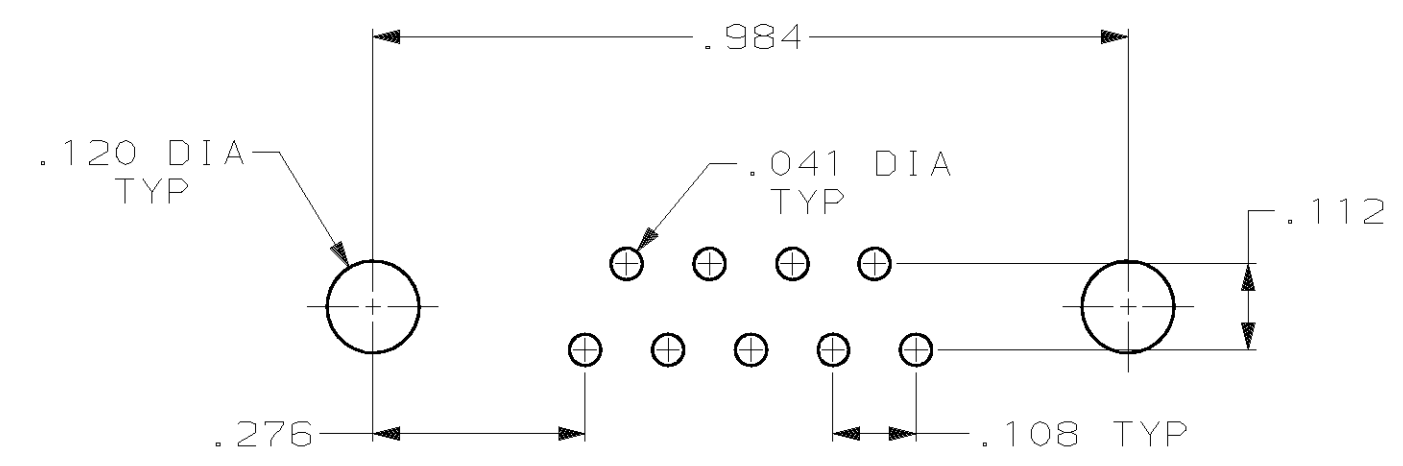
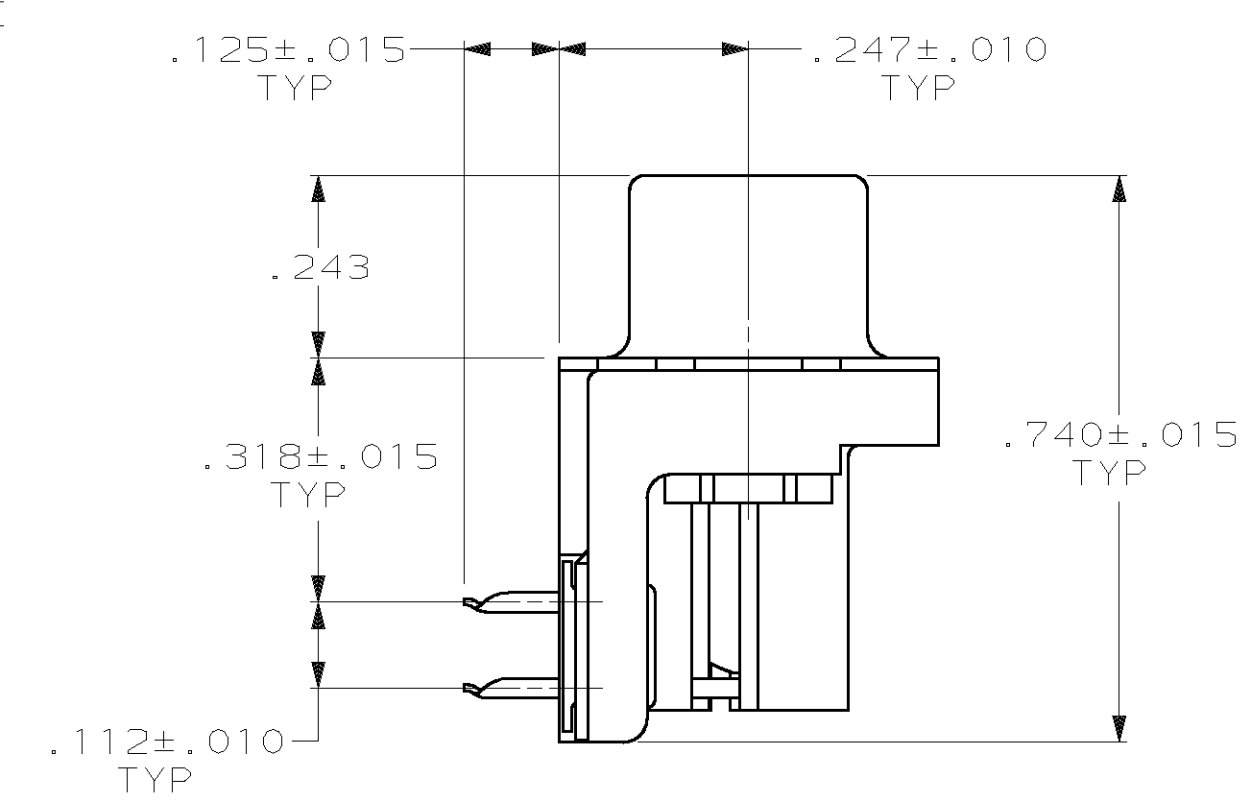
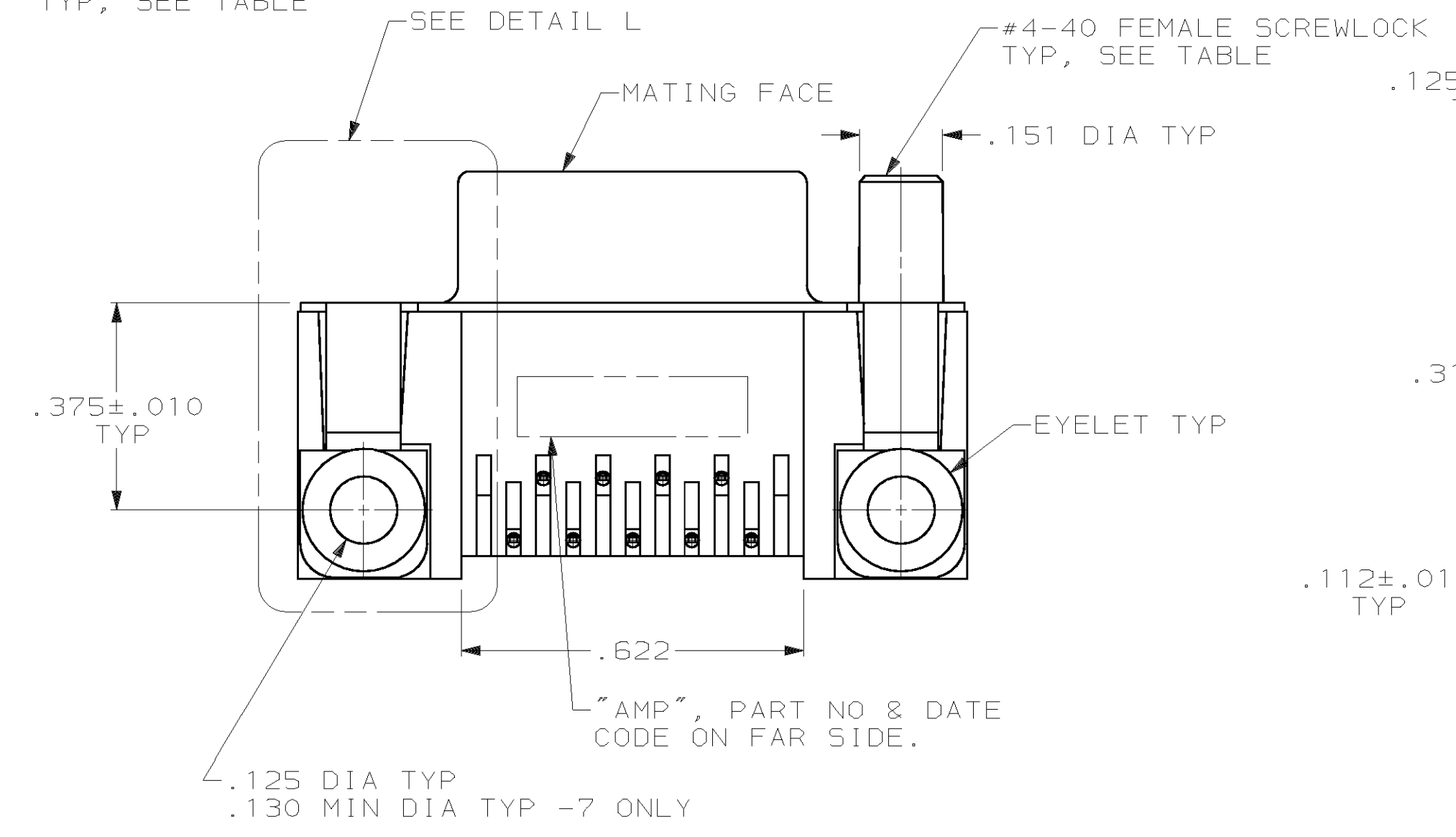
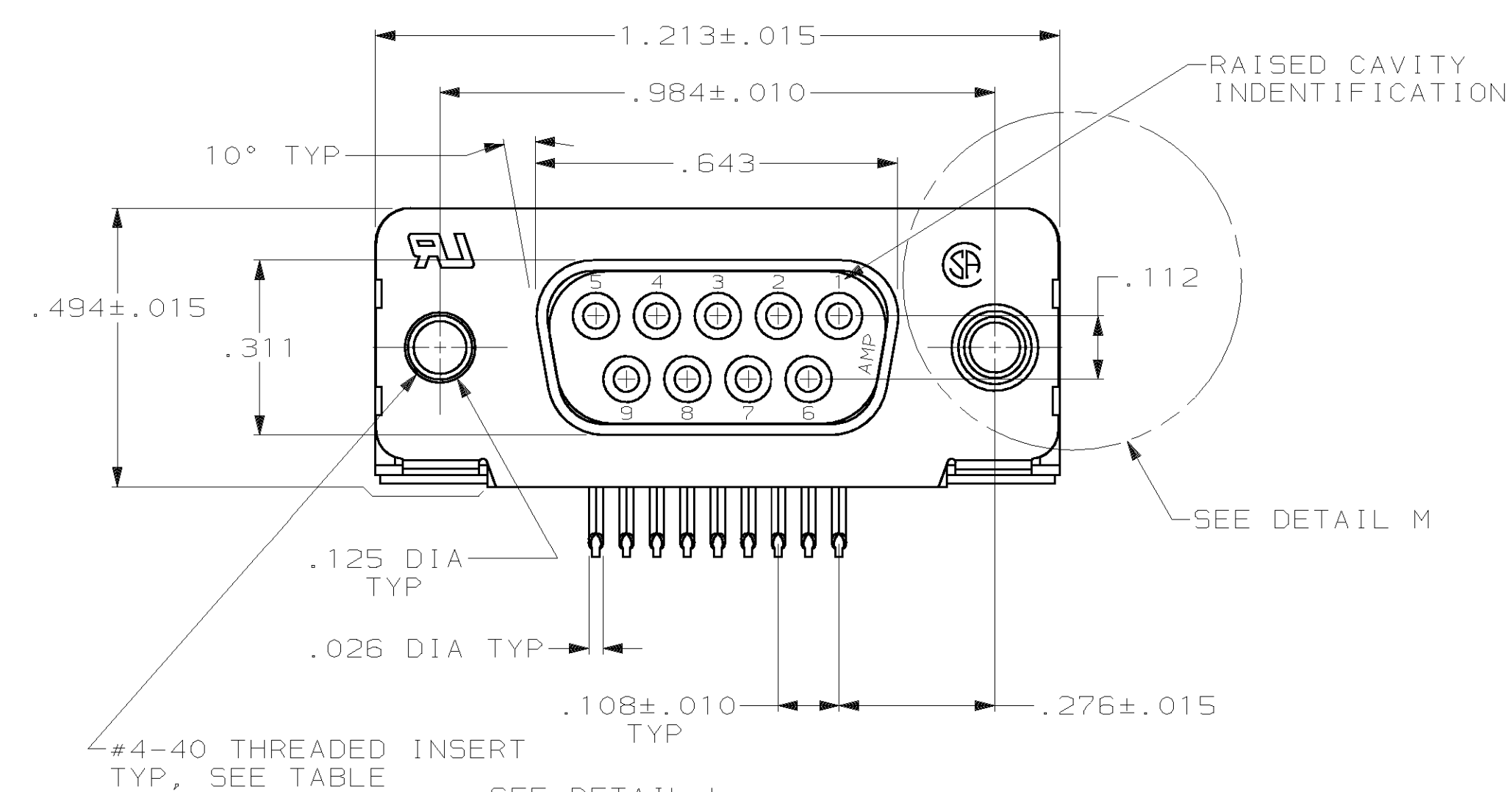
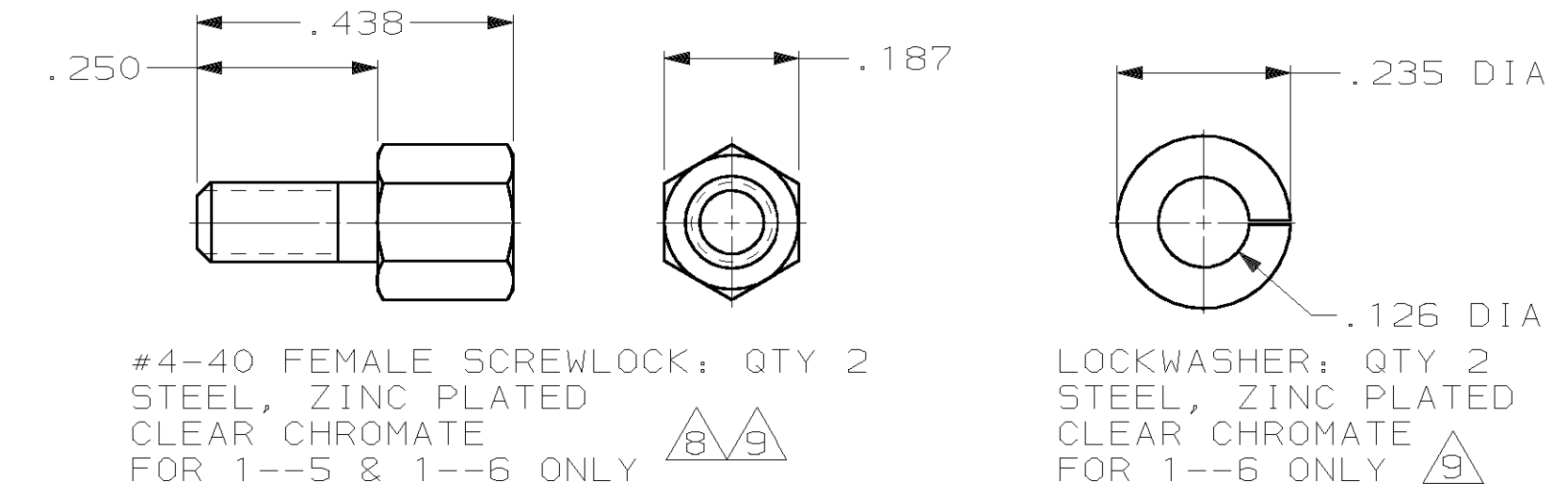


LOC	DIST	P	F	ZONE	LTR	DESCRIPTION	DATE	APPD
BD	77				N	REDRAWN	1-23-91	-
					P	REV PER ECN BD4960	6-19-91	CR
					R	REVISED PER ECN BD5477	01/21/92	CR
					S	OBS 1--2, 1--3 & 1--6 ECN BD6035	06/17/92	CR
					T	REVISED PER ECN BD6559	04/14/93	BT
					U	OBS -7 & -9 PER EC 0020-0619-93	10/07/93	SB
					V	OBS 1-4 PER EC 0020-830-93	03/20/94	SB
					W	OBS -8 PER EC 0020-131-94	05/26/94	CR
					Y	REV PER EC 0020-1338-94	12/12/94	RT
					Z	SUPERSEDED -1, -10 & -11 PER EC 0020-461-96	15 JAN 97	RT
					AA	SUPSD -5 PER EC 0020-570-96	28 FEB 97	RT
					AB	OBSOLETE -15 AND REV PER EC OUID-0103-00	03 APR 00	JK



- CONNECTOR MATES WITH ANY 9 POSN PLUG IN AMPLIMITE™ SERIES & COMPLIES WITH AMP SPEC 108-40005 WHERE APPLICABLE.
- MOLDED PARTS: FLAME RETARDANT 94V-0 RATED THERMOPLASTIC, BLACK.
 SHELL: STEEL PER ASTM A109
 CONTACTS: PHOSPHOR BRONZE PER QQ-B-750
 EYELETS: BRASS
 SCREWLOCKS: ZINC
 INSERTS: ZINC
- SHELL: TIN PLATED
 CONTACTS: SEE TABLE
 EYELETS: TIN PLATED
 SCREWLOCKS: CLEAR CHROMATE
 INSERTS: CLEAR CHROMATE
- GOLD PLATING PER MIL-G-45204, NICKEL PLATING PER QQ-N-290, TIN PER MIL-T-10727.
- GOLD FLASH FOR A DISTANCE OF .100 MIN FROM MATING END, TIN PLATED .000100-.000200 ON OPPOSITE END, ALL OVER .000050 NICKEL.
- .000030 GOLD FOR A DISTANCE OF .100 MIN FROM MATING END, TIN PLATED .000100-.000200 ON OPPOSITE END, ALL OVER .000050 NICKEL.
- .000015 MIN GOLD FOR A DISTANCE OF .100 MIN FROM MATING END, TIN PLATED .000100-.000200 ON OPPOSITE END, ALL OVER .000030 NICKEL.
- SCREWLOCKS REQUIRED FOR 1--5 CONNECTOR ASSEMBLIES WILL BE BULK PACKED & SHIPPED WITH CONNECTORS.
- SCREWLOCKS & LOCK WASHERS FOR 1--6 CONNECTOR ASSEMBLIES WILL BE BULK PACKED & SHIPPED WITH CONNECTORS.

OBSOLETE	THREADED INSERTS, SCREWLOCKS & LK WASH	GROUNDING STRAPS	△5	1-745781-6
OBSOLETE	FEMALE SCREWLOCKS & THREADED INSERTS	GROUNDING STRAPS	△5	1-745781-5
OBSOLETE	NONE	GROUNDING STRAPS	△5	1-745781-4
OBSOLETE	FEMALE SCREWLOCKS	CLINCH TABS (SEE DETAIL L)	△5	1-745781-3
OBSOLETE	FEMALE SCREWLOCKS	CLINCH TABS (SEE DETAIL L)	△5	1-745781-2
SUPSD BY 745781-4	THREADED INSERTS	CLINCH TABS (SEE DETAIL L)	△5	1-745781-1
SUPSD BY 745781-4	THREADED INSERTS	CLINCH TABS (SEE DETAIL L)	△5	1-745781-0
OBSOLETE	NONE	CLINCH TABS (SEE DETAIL L)	△5	745781-9
OBSOLETE	NONE	CLINCH TABS (SEE DETAIL L)	△5	745781-8
OBSOLETE	FEMALE SCREWLOCKS	GROUNDING STRAPS	△5	745781-7
OBSOLETE	FEMALE SCREWLOCKS	GROUNDING STRAPS	△5	745781-6
SUPSD BY 745781-6	FEMALE SCREWLOCKS	GROUNDING STRAPS	△5	745781-5
OBSOLETE	THREADED INSERTS	GROUNDING STRAPS	△5	745781-4
OBSOLETE	THREADED INSERTS	GROUNDING STRAPS	△5	745781-3
OBSOLETE	NONE	GROUNDING STRAPS	△5	745781-2
SUPSD BY 745781-2	NONE	GROUNDING STRAPS	△5	745781-1
MOUNTING HARDWARE		SHELL VERSION	CONTACT FINISH △4	PART NUMBER

DO NOT SCALE PRINT. UNLESS SPECIFIED DIMENSIONS IN INCHES TOLERANCES ON: 2 PLC DEC ± .005 3 PLC DEC ± .005 ANGLES ± 2°	DR 1-23-91 J GALLUCCI BG CHK 4-26-91 R. STONE APPD 4-26-91 J.W. YOUNG APPD 4-26-91 C. RÖHDE	AMP AMP Incorporated Harrisburg, PA 17105-3508		
MATERIAL △3	PRODUCT SPEC 108-40025	RCPT ASSY, SIZE 1, 9 POSN, RTANG, AMPLIMITE™ HD-20, WITH METAL SHELL, WITH OR WITHOUT SCREWLOCKS OR INSERTS		
FINISH △3	APPLICATION SPEC 114-40010	SIZE D	CAGE CODE 00779	DRAWING NO 745781
WEIGHT		SCALE 4:1	SHEET 1 OF 1	