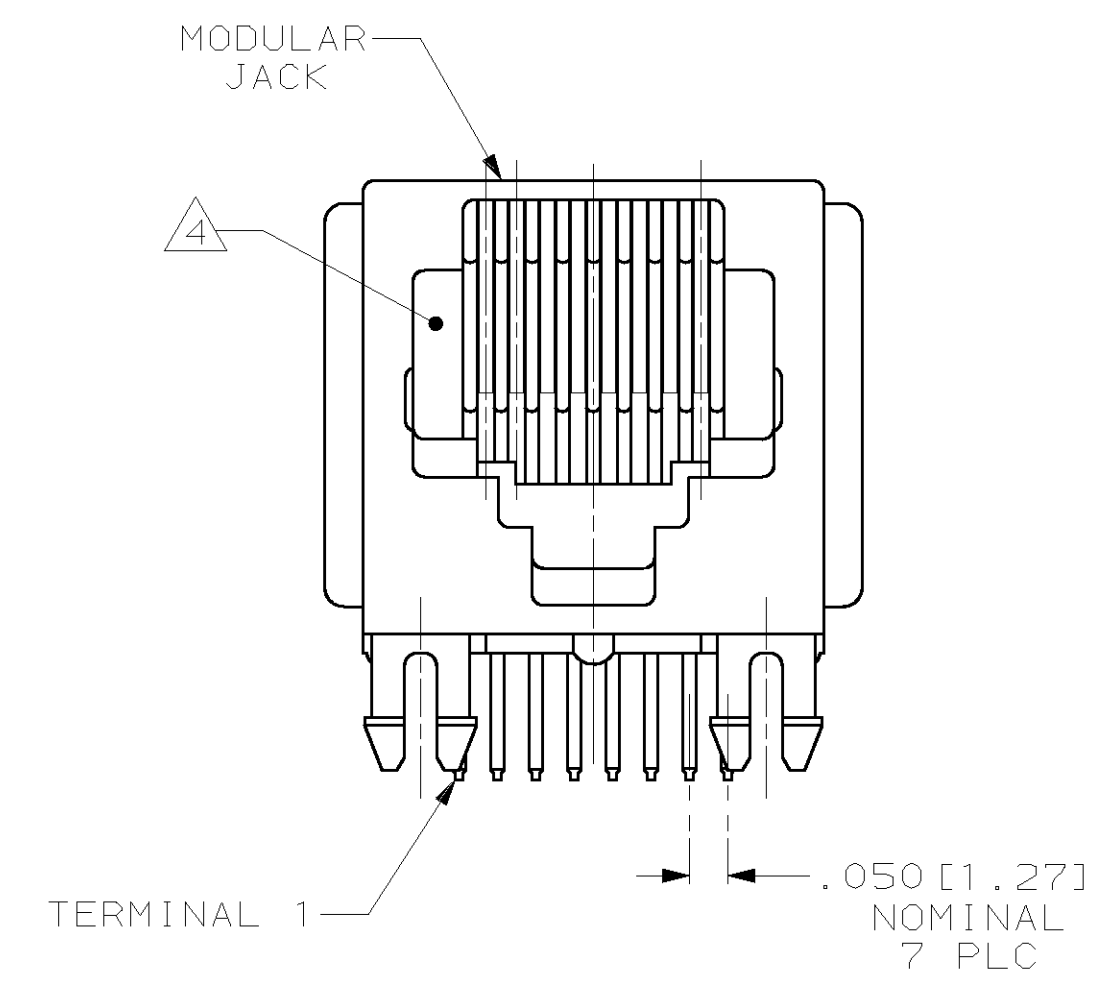
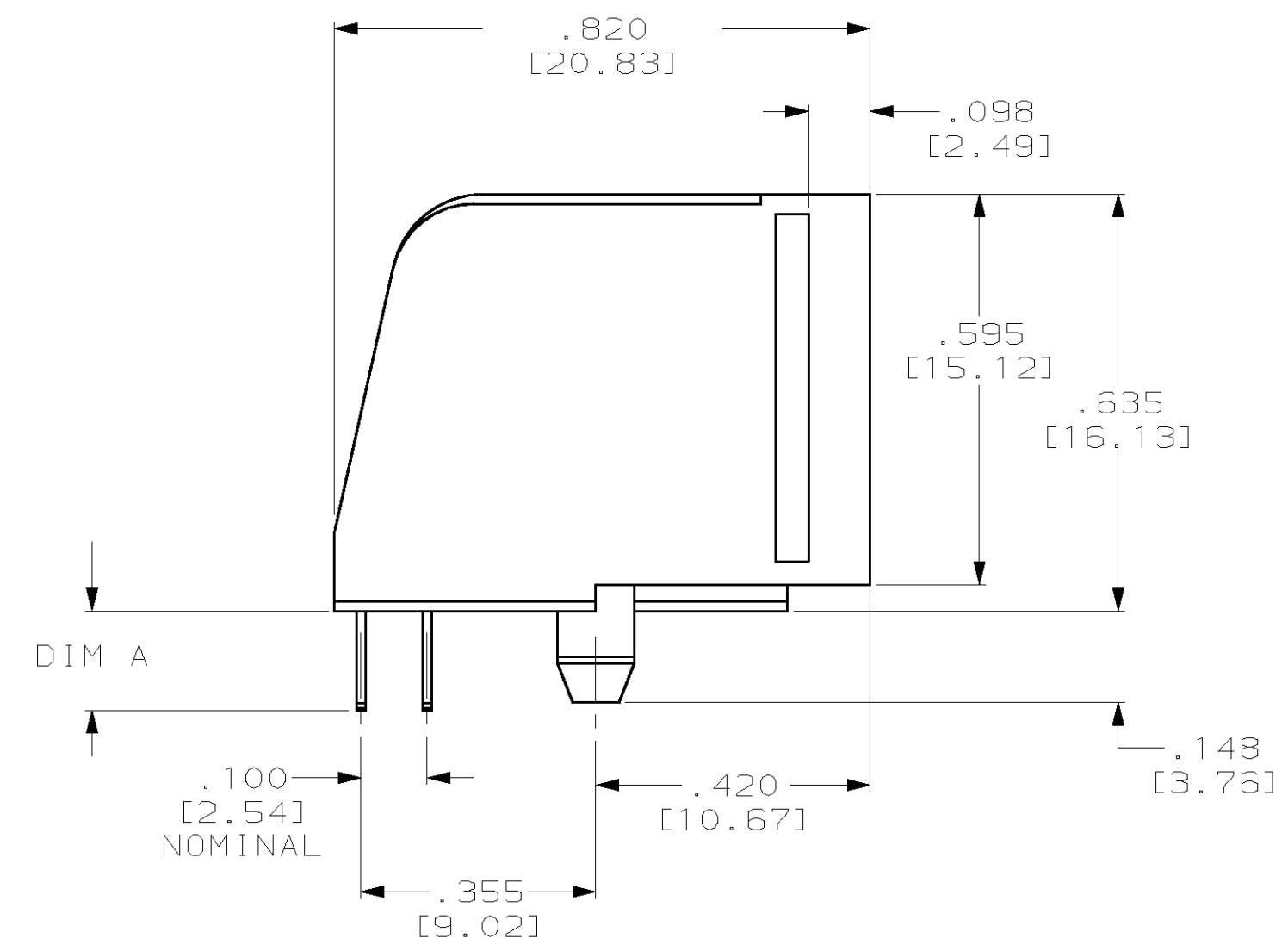
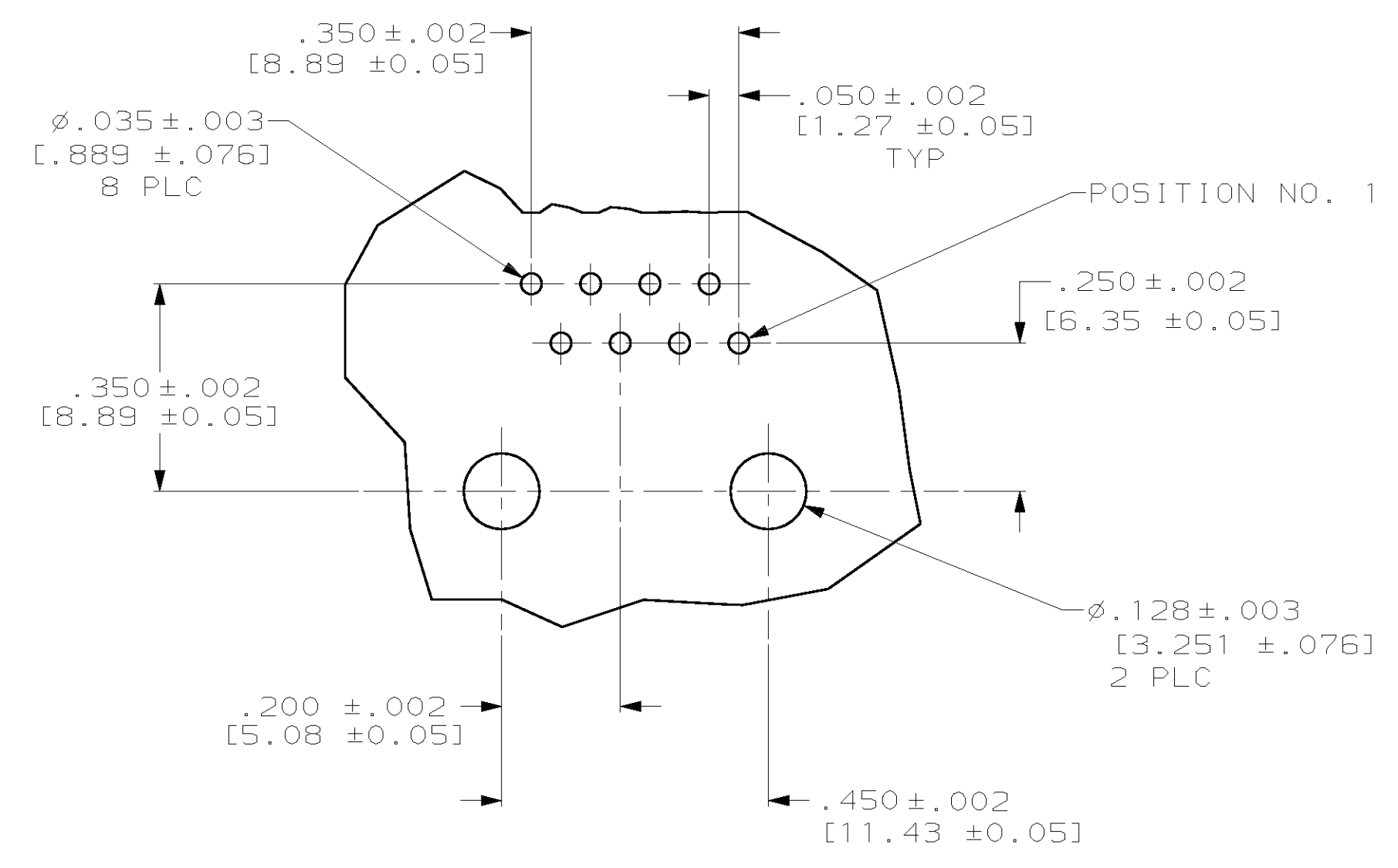
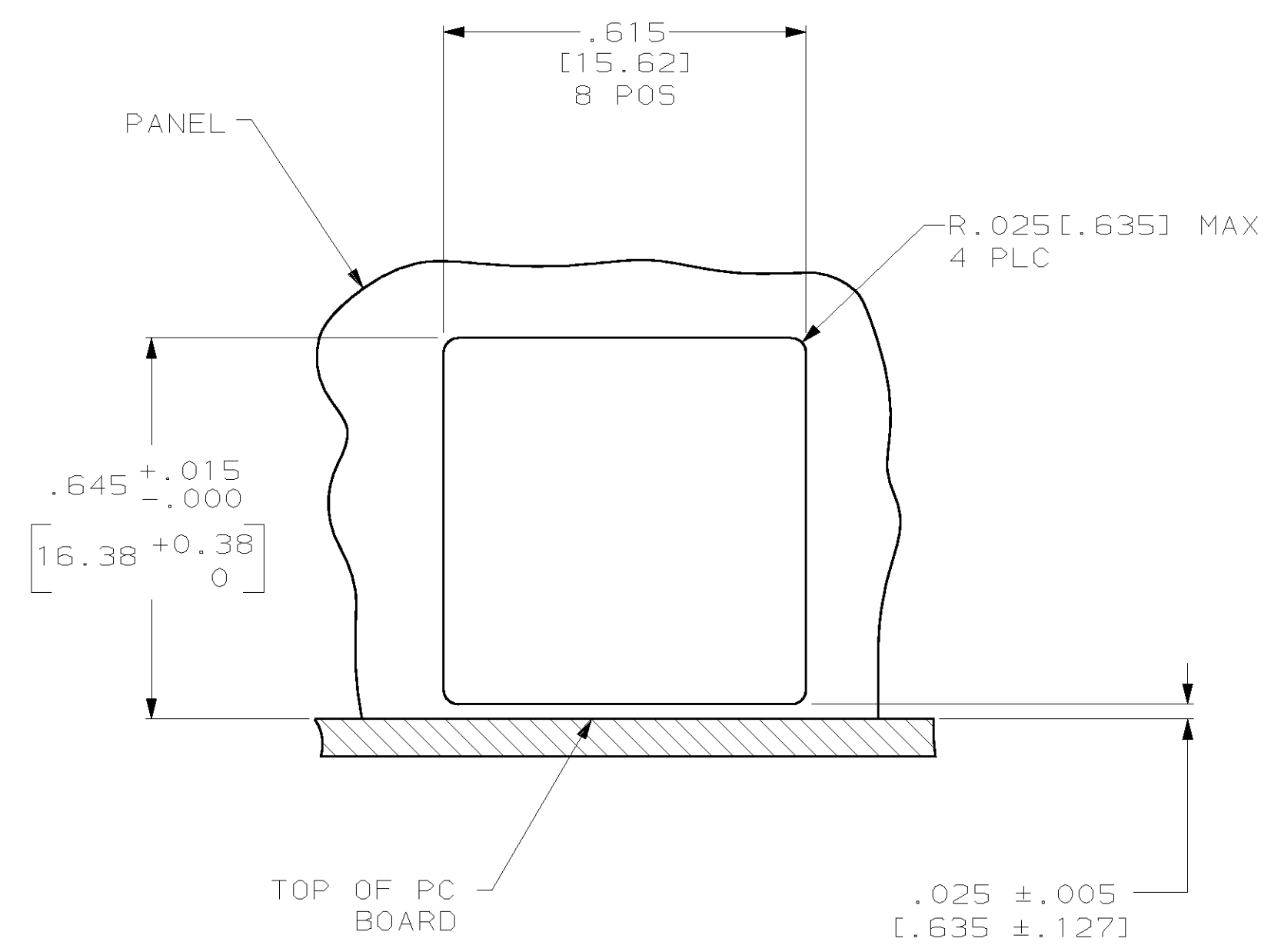
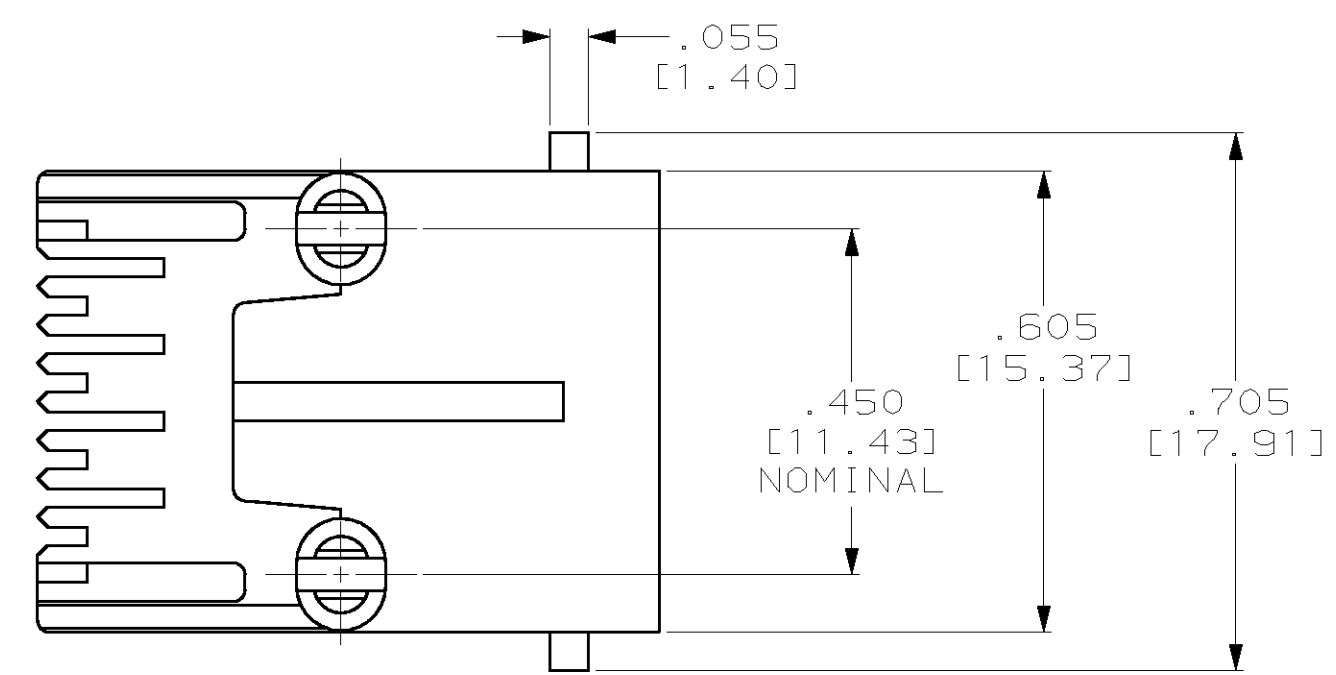


LOC	DIST	REV	DESCRIPTION	DATE	OWN	APVD
AA	22	Y	SUPERSEDED: -9; EC OUF0-0006-01	20SEP01	DL	LLV



- △ DIMENSIONS ARE MAXIMUM UNLESS OTHERWISE SPECIFIED.
- 2. DIMENSIONS IN BRACKETS [] ARE IN MILLIMETERS.
- △ MATERIAL: HOUSING - PBT POLYESTER, BLACK. TERMINAL - PHOS-BRONZE PLATED WITH .000050 [1.27μm] THICK HARD GOLD IN LOCALIZED GOLD PLATE AREA AND .000080 [2.03μm] THICK TIN-LEAD IN SOLDER AREA OVER .000050 [1.27μm] THICK NICKEL UNDERPLATE.
- △ CAVITY CONFORMS TO FCC RULES AND REGULATIONS PART 68 AND REA BULLETIN 345-81, PE-76 SPECIFICATION FOR MODULAR TELEPHONE HARDWARE.
- △ BULK PACKAGED IN A TRAY.



SUGGESTED PRINTED CIRCUIT BOARD LAYOUT
 NONCOMPONENT SIDE SHOWN

SUPERSEDED BY 520251-4	.10-.12 [2.54-3.05]	△	8	520251-9
	.13-.17 [3.30-4.32]	△	8	520251-4
	DIM A	PACKAGED	TERMINALS	PART NUMBER

<small>THIS DRAWING IS A CONTROLLED DOCUMENT FOR AMP INCORPORATED. IT IS SUBJECT TO CHANGE AND THE CONTROLLING ENGINEERING DEPARTMENT SHALL BE CONTACTED FOR THE LATEST REVISION.</small>		DWN: S. GARRETT 05-10-95 CHK: N. JONES 5-23-95 APVD: F. LAURER 5-30-95	AMP AMP Incorporated Harrisburg, PA 17105-3608
DIMENSIONS: INCHES [mm]	TOLERANCES UNLESS OTHERWISE SPECIFIED:	PRODUCT SPEC: 108-1163 APPLICATION SPEC: 114-2048	NAME: MODULAR JACK ASSEMBLY, SIDE ENTRY, 8 POSITION, FLANGELESS, WITH PANEL STOPS
DIMENSIONS: 0 PLC ±.005 △ 1 PLC ±.005 △ 2 PLC ±.005 △ 3 PLC ±.005 △ 4 PLC ±.005 △ ANGLES ±.005 △ FINISH △	MATERIAL △	WEIGHT: - SCALE: 4:1 SHEET: 1 OF 1 REV: Y	SIZE: A1 CAGE CODE: 00779 DRAWING NO: C-520251
CUSTOMER DRAWING			